

5.8G FPV Video Glasses

Instruction Manual

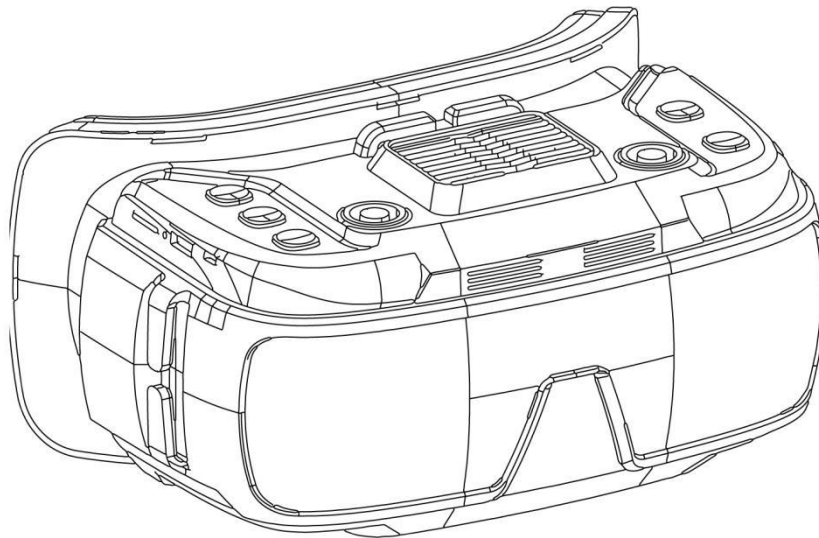
Support automatic frequency search

Video real-time return zero delay

Built-in 3.7V 2000mA polymer battery

Built-in 40-frequency high-sensitivity receiving module

(0°-700°) Manually adjust the matching myopia (0°-700°)



Thank you for purchasing this product, and hope to bring you a wonderful experience!

Product features:

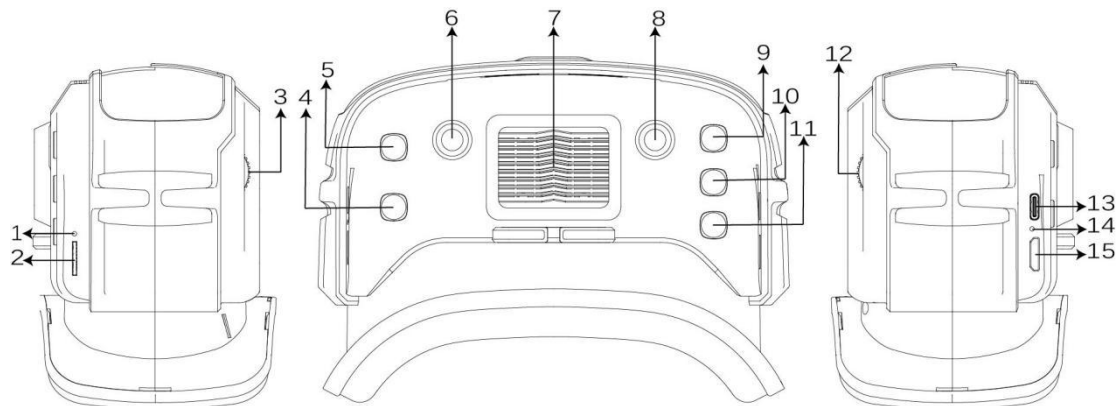
- New refractive optical path design, small size and light weight;
- The object distance can be adjusted to match 0-700 degree myopia
- Low power consumption, working current of 1100mA;
- High-sensitivity dual-filtering 5.8G receiving module, strong anti-interference, dual diversity reception, and more stable signal;
- The module adopts universal 40 channels with automatic frequency searching function;
- Adopt 3.5-inch 1024*600 resolution high brightness IPS screen;
- Built-in 3.7V/2000mAh large-capacity li-polymer;
- Universal TYPE-C charging interface, which supports 5-23V wide voltage charging;
- Real-time video return with zero delay;
- Support menu in 8 languages;
- Support external HDMI signal input;
- Support HDMI signal video input DVR for recording;

Parameter Specifications:

Model	VR200	
Product Name	5.8G FPV video glasses	
Display Screen Specification	Screen material: 3.5-inch IPS highlight screen	
	Display resolution: 1024*600	
	Display specification: 16:9	
	View angle: 360-degree full view angle	
	Backlight brightness: 500 CD/m	
Video Delay	Less than 10 milliseconds	
Interface Definition	Antenna Head	Inner needle antenna head with SMA inner hole antenna
	Charging Port	TYPE-C is used to charge the built-in battery (5-23V wide voltage charging).
	HDMI Port	HDMI jack supports video input.
Menu Language	Chinese/English/Japanese/German/French/Spanish/Italian/Russian	
DVR	Video Size: VGA/D1/HD (three modes are optional)	
	Recording Time: Off /3 minutes /5 minutes /10 minutes (optional)	
	Frame Rate: 30 frames	
	Compression Format: MJPEG	
	Video File Format: AVI	
Battery and Power	Power Adapter: It is recommended to use 12V2A or DC/5V2A charging head.	
	Battery Specification: Built-in 3.7V/2000mAh polymer battery.	

Consumption	Product power consumption:								
Module Parameters	Frequency Table (MHz)								
		CH1	CH2	CH3	CH4	CH5	CH6	CH7	CH8
	Band A	5865	5845	5825	5805	5785	5765	5745	5725
	Band B	5733	5752	5771	5790	5809	5828	5847	5866
	Band E	5705	5685	5665	5645	5885	5905	5925	5945
	Band F	5740	5760	5780	5800	5820	5840	5860	5880
	Band R	5658	5695	5732	5769	5806	5843	5880	5917
Size and Weight	Body Size: 158mm * 116mm *85mm.								
	Body Weight: 350g (excluding antenna)								

Key Definition:



Key/Interface Function Description:

1. Video instruction: Display different working states of DVR.
2. TF card: TF card slot (maximum 32G high-speed memory card can be inserted)
3. Adjusting gear A: Rotating the gear can push the position of the inner lens to move, thus adjusting the object distance.
4. Power button: long press (3 seconds) to turn on/off; Short press to enter the menu and switch to the next menu every time you press it.
5. Search button: short press the automatic search signal (finally lock the frequency point with the strongest signal). Long press for 3 seconds to enter the HDMI input mode.
6. Antenna head A: Inner needle antenna head is equipped with SMA inner hole antenna.
7. Fan outlet
8. Antenna head B: Inner needle antenna head is equipped with SMA inner hole antenna.
9. Band+button: short press to switch frequency band (cyclically switch A-B-E-F-R frequency band). In menu mode, it is-.
10. RED button: short press to start recording/stop recording.
11. CH+key 11: short press to switch frequency points (cyclically switch frequency points

1-2-3-4-5-6-7-8), which is in menu mode.

12. **Adjusting gear B:** Rotating the gear can push the position of the inner lens to move, thus adjusting the object distance.

13. **Charging port:** TYPE-C interface is adopted to support DC5-23V charging.

14. **Charging instruction:** red when charging, and green when full.

15. **HDMI interface:** mini HDMI jack is adopted to support external video input.

Menu instruction:

In boot mode, press Power briefly to enter the menu bar.

In the menu bar mode:

Key 4: Scrollable option

Key 5: Automatically search for channels.

Key 9: Parameter Adjustment+

Key 10: Invalid

Key 11: Parameter Adjustment-

Playback instruction:

In menu mode, select DVR option to enter DVR playback mode.

In DVR mode:

Key 4: Return/Exit the playback mode.

Key 5: Delete the current file.

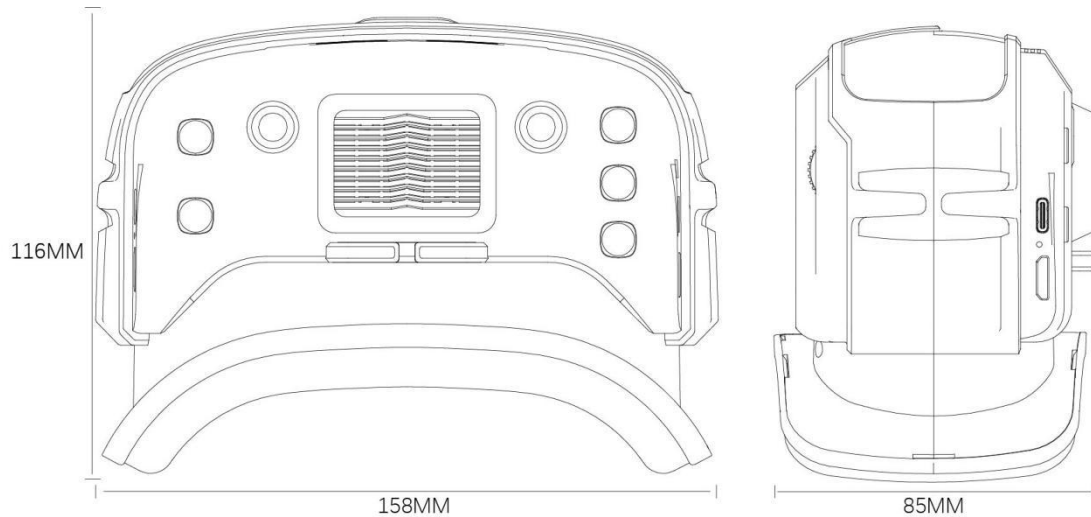
Key 9: Select video forward/adjust fast forward when playing video.

Key 10: Play/Pause

Press key 11 to select the video backward/adjust the rewind when playing the video

Dimension Drawing:

Antenna and headband are not included.



Safety Instructions:

1. Please read the instruction manual thoroughly before operation, and be familiar with the product features!
2. Age suggestion: over 14 years old. Children under the age of 14 who use any monitor at close range may cause eye development problems. This is not a children's toy!
3. Please avoid using the product in a humid environment!
4. Please use a standard USB charger, and the charging voltage can only be 5-23V.
5. HDMI input and RF input cannot work at the same time. It is forbidden to insert external video in RF receiving mode.
6. Please don't use corrosive cleaner to wipe the product!