

# Versatile FPV Video Goggles

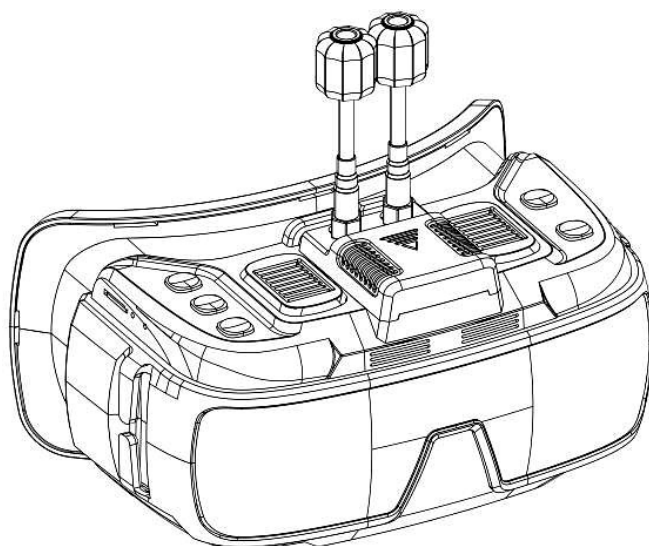
## User Manual

Supports external receiver modules for real-time, zero latency video transmission

Supports HDMI high-definition video input

Integrated 3.7V/2000mAh lithium polymer battery

Manual diopter adjustment for 0-700° myopia compensation



Thank you for choosing this product. We hope it provides a reliable and enjoyable FPV viewing experience.

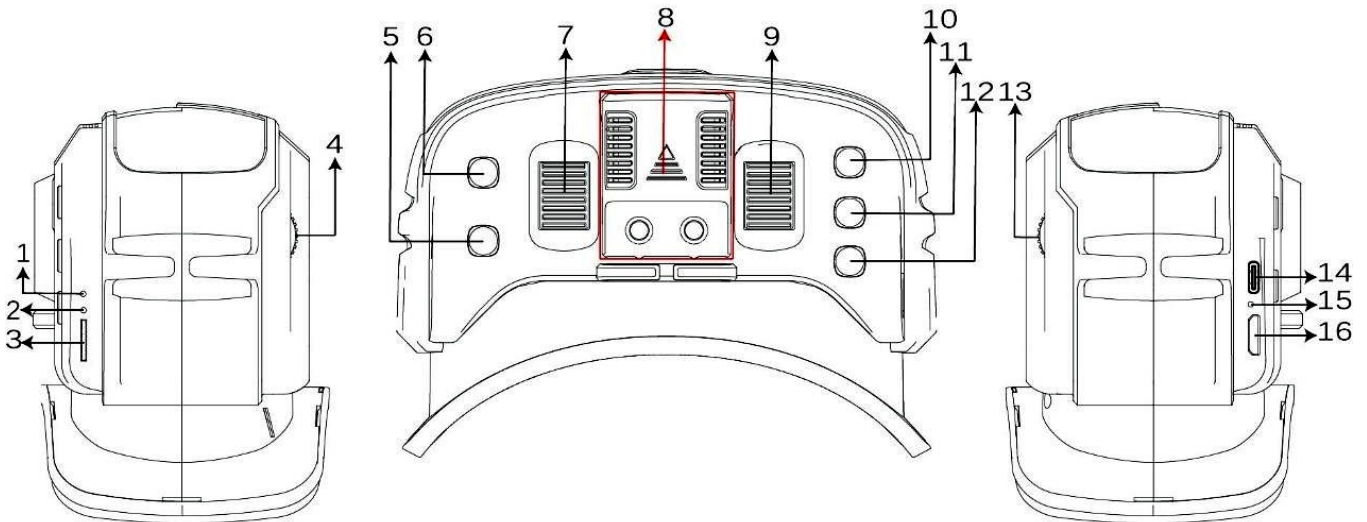
### Product Features

- New refractive optical path design with a compact, lightweight body.
- Adjustable object distance for 0-700° myopia compensation.
- Low power consumption: 350mA operating current without receiver module.
- Supports plug in external receiver modules.
- Integrated DVR recording with TF card support.
- 3.5 in high resolution, high brightness IPS display.
- Integrated 2000mAh high capacity lithium polymer battery.
- Universal Type-C charging port with 5-23V wide voltage charging support.
- Real-time video display with zero latency.
- Supports menus in 8 languages.
- Supports external HDMI signal input.
- Supports DVR recording from HDMI video input.

## Specifications

Category	Item	Specification
Basic Information	Model	VR200 Pro
	Product Name	Versatile FPV Video Goggles
Display	Screen	3.5 in high brightness IPS display
	Resolution	1024 x 600
	Aspect Ratio	16:9
	Viewing Angle	360° full viewing angle
	Backlight Brightness	500cd/m <sup>2</sup>
Video Latency	Latency	<10ms
Interface Definitions	Antenna Connector	SMA male antenna connector with center pin, for SMA female antennas
	Charging Port	Type-C port for charging the integrated battery; supports 5-23V wide voltage charging
	HDMI Port	HDMI socket for video input
Menu Languages	Supported Languages	Chinese / English / Japanese / German / French / Spanish / Italian / Russian
DVR	Recording Resolution	VGA / D1 / HD; three selectable modes
	Recording Time	Off / 3min / 5min / 10min; selectable
	Frame Rate	30fps
	Compression Format	MJPEG
	Recording File Format	AVI
Battery and Power	Recommended Adapter	12V/2A or DC5V/2A charger recommended
	Battery	Integrated 3.7V/2000mAh lithium polymer battery
	Power Consumption	Operating current: 350mA without module; full charge time: approx. 1 hour; operating time: approx. 1 hour
Receiver Module	Module	Selectable by user
Dimensions and Weight	Body Dimensions	158mm x 116mm x 85mm
	Body Weight	350g, excluding receiver module and antenna

## Button and Interface Layout



## Button and Interface Functions

1. Forced Shutdown Button: Press in any operating state to cut power and shut down the system.
2. Recording Indicator: Indicates the current DVR operating status.
3. TF Card Slot: Supports high speed TF cards up to 32GB.
4. Adjustment Wheel A: Rotate the wheel to move the internal lens and adjust the object distance.
5. Power Button: Long press for 3 seconds to power on or off. Short press to enter the menu; each short press advances to the next menu item.
6. Search Button: Short press to automatically search for a signal and lock to the strongest channel. Long press for 3 seconds to enter HDMI input mode.
7. Antenna Connector A: SMA male antenna connector with center pin, for SMA female antennas.
8. Fan Air Outlet
9. Antenna Connector B: SMA male antenna connector with center pin, for SMA female antennas.
10. Band+ Button: Short press to switch bands in sequence: A-B-E-F-R. In menu mode, functions as -.
11. REC Button: Short press to start or stop recording.
12. CH+ Button: Short press to switch channels in sequence: 1-2-3-4-5-6-7-8. In menu mode, functions as +.
13. Adjustment Wheel B: Rotate the wheel to move the internal lens and adjust the object distance.
14. Charging Port: Type-C port supporting DC5V-23V charging.
15. Charging Indicator: Red while charging; green when fully charged.
16. HDMI Port: Mini HDMI socket for external video input.

## Menu Instructions

In power on mode, short press the Power button to enter the menu. In menu mode:

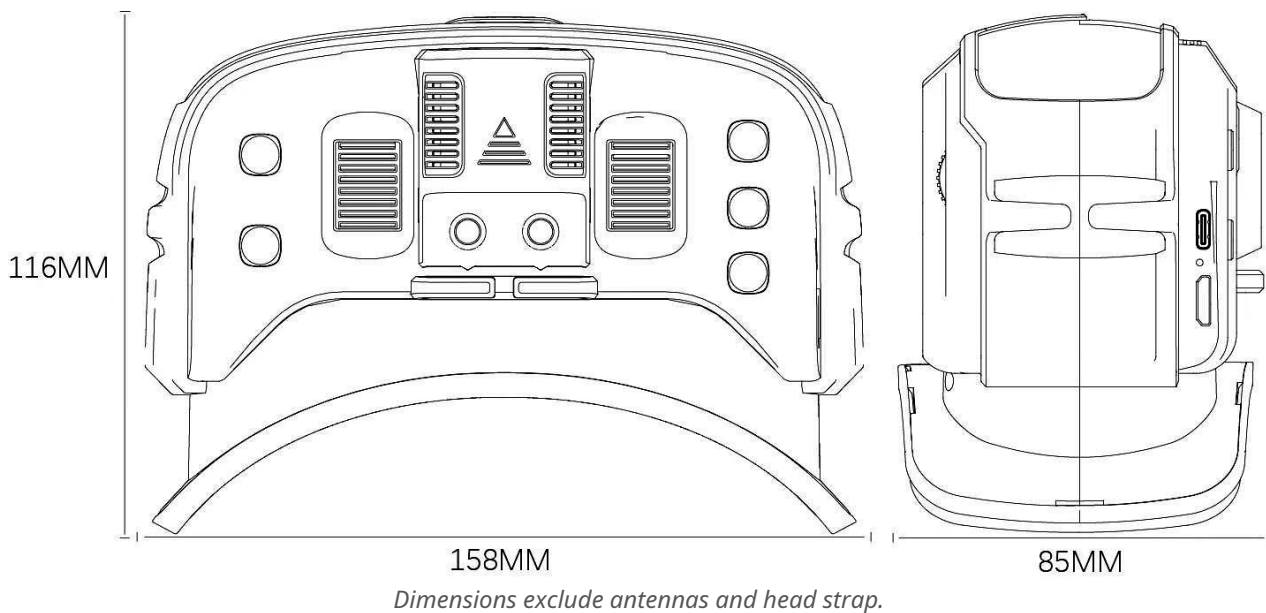
Button	Function
Button 5	Scroll through menu options
Button 6	Auto search channels
Button 10	Parameter adjustment +
Button 11	Disabled
Button 12	Parameter adjustment -

## Playback Instructions

In menu mode, select DVR to enter DVR playback mode. In DVR mode:

Button	Function
Button 5	Return / exit playback mode
Button 6	Delete the current file
Button 10	Select next video / fast forward during video playback
Button 11	Play / pause
Button 12	Select previous video / rewind during video playback

## Dimension Diagram



## **Safety Instructions**

1. Read this user manual carefully and become familiar with the product features before operation.
2. Recommended age: 14 years and above. Close range use of any display by children under 14 may affect eye development. This product is not a children's toy.
3. Avoid using the product in humid environments.
4. Use a standard USB charger only. The charging voltage must be within 5-23V.
5. HDMI input and RF input cannot operate at the same time. Do not connect an external video source while the product is in RF receiving mode.
6. Do not wipe the product with corrosive cleaning agents.