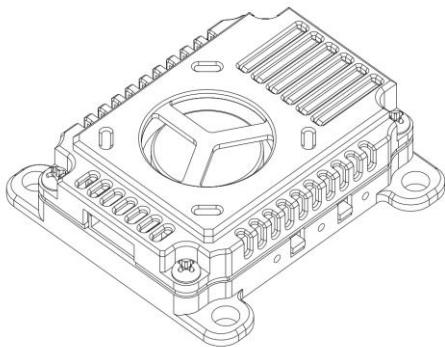
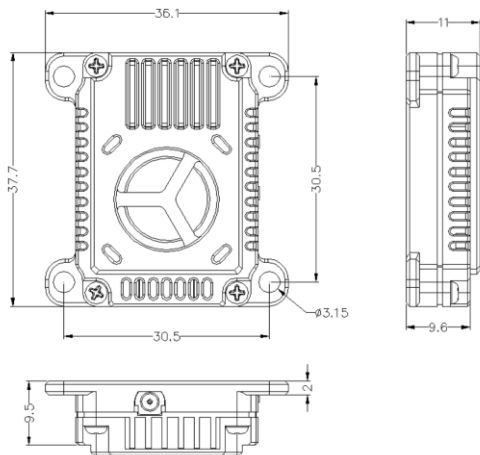


Operation Instruction of 3.3GHz 3W Transmitter (TX)



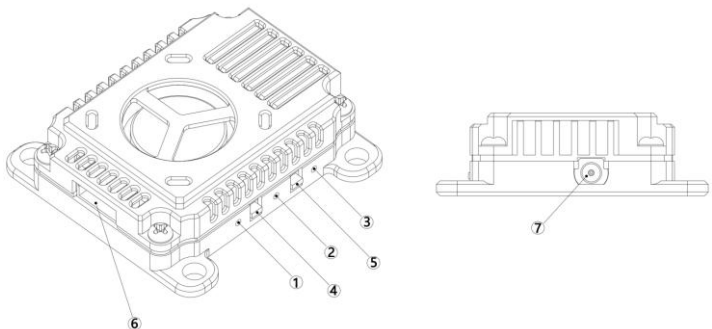
I. Product Dimension



II. Specifications

1. Built-in microphone;
2. Suitable for any camera PAL or NTSC;
3. Digital phase-lock loop without drift issues;
4. Audio and video cables with RCA adapter;
5. Removable SMA antenna;
6. Audio sub-carrier 6.5MHz;
7. Operating voltage 6-36V;
8. Sixteen(16) optional channels.
9. Dimension: 37.7mm*36.1mm*11mm
10. Hole spacing: 30.5mm*30.5mm
11. Weight: 16g

III. Function introduction:



- ① Channel indicator: Red LED
- ② Band indicator: Blue LED
- ③ Power level indicator: Green LED
- ④ Band and channel changer button
- ⑤ Power changer button
- ⑥ 1.0 6P Power connector
- ⑦ MMCX antenna connector.

IV. Key control and LED indicators definition

1. Key ④ is the frequency channel & band selection key. Press key ④ for a short period of time will switch to the next frequency channel. Depends on the frequency plan or band we are using, the corresponding red LED ① (band A) or blue LED ② (band B) will flash 1, 2,3,4,5,6,7 or 8 times for channel no. indication.

Press key ④ for a period longer than 3S will switch to another channel frequency plan or band. For example, if now we are in channel no. 3 of band A, the red LED ① will flash 3 times. If we press key ④ for more than 3S and release, the red LED ① will be turned off and blue LED ② will flash 3 times which means we are now in channel NO. 3 of band B.

Frequency channel or band selection is cyclic.

Please refer to the following table for details:

	CH1	CH2	CH3	CH4	CH5	CH6	CH7	CH8
Red LED (Band A)	Flash Once	Flash Twice	Flash 3 times	Flash 4 times	Flash 5 times	Flash 6 times	Flash 7 times	Flash 8 times
Red LED (Band B)	Flash Once	Flash Twice	Flash 3 times	Flash 4 times	Flash 5 times	Flash 6 times	Flash 7 times	Flash 8 times

2. Key ⑤ is the Tx power ON/OFF control key.

Press it for a short period of time to turn the output power ON or OFF. If the key is pressed and held for 3 seconds, the module will enter pit mode and all the LEDs will be turned on simultaneously.

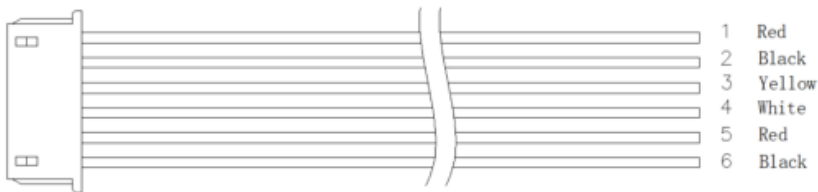
See the following table for details:

1. Short press key ⑤ to toggle the output power ON/OFF.		
2. Long press the key to enter Pit mode		
Tx output power ON	Tx output power OFF	Pit mode
Green LED ③ is turned on	Green LED ③ is turned off	All 3 LEDs will be turned on simultaneously

V. Table of Corresponding Channel Frequency Parameters

Channel Frequency Table (in MHz)								
Channel	CH1	CH2	CH3	CH4	CH5	CH6	CH7	CH8
Band A	3320	3345	3370	3395	3420	3445	3470	3495
Band B	3310	3330	3355	3380	3405	3430	3455	3480

VI. Illustrate of 6P 1.0 Wiring



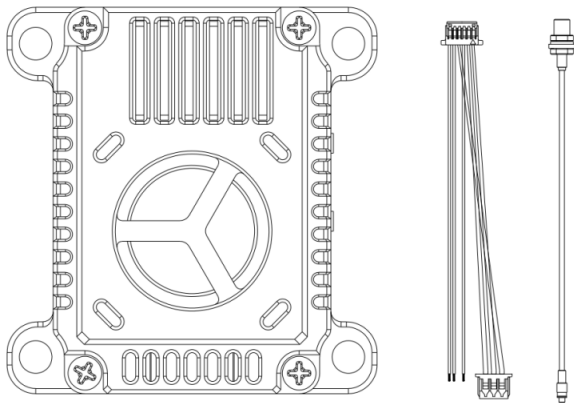
Wiring Table:

NO.	1	2	3	4	5	6
FUN	6-36V	GND	Video	IRC	5V out	GND
Color	Red	Black	Yellow	White	Red	Black

VII. Notice for Use

1. A certain space shall be reserved when the transmitter is installed to ensure the air convection around the module and module cooling; otherwise, if the overheating protection of the module is started, the power emission will be lowered and even closed.
2. We suggested to ensure correct voltage scope and correct positive and negative anodes before powering-on to avoid element burning-out.
3. We suggested to confirm antenna has been installed at the RF output terminal before powering-on to extend the service life of transmitter.
4. Please read the Instruction before use to ensure correct wiring and extend the service life of transmitter.

VIII. Packing list



1. 1pcs * 3.3GHz VTX
2. 1pcs * MMCX interface antenna connection cable

3. 1pcs * 6P 1.0 connecting wiring