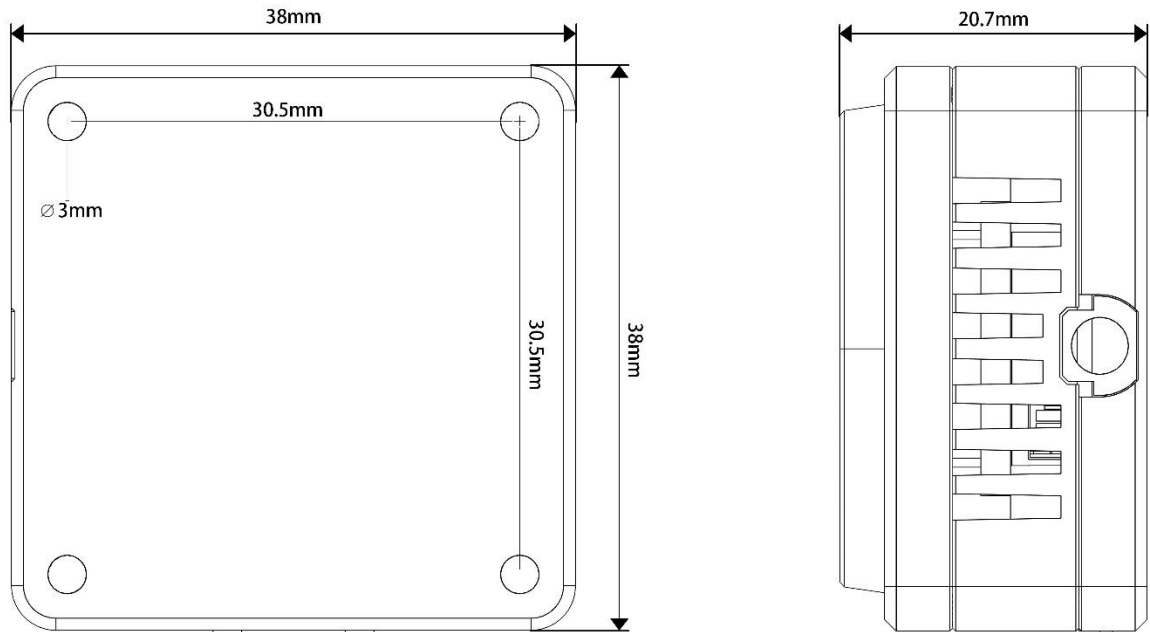


# Operation Instruction of 1.2GHz 5W Transmitter (VTX)

## I. Product Appearance



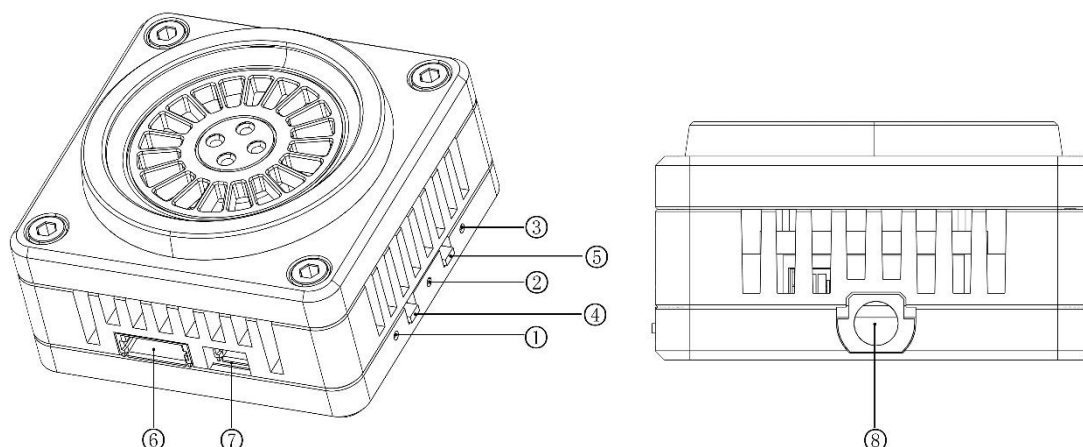
## II. Product Dimension



## III. Specifications

1. 9CH 1.2G frequency range: (1080MHz-1360MHz);
2. Max power: 5W (25mW/5000mW, two level adjustable);
3. Input voltage: DC 7V-36V, supporting 2-8S battery input
4. Antenna connector: MCX
5. Smart audio: IRC Tramp
6. Heat-dissipating method: aluminum alloy shell, heat sink&fan
7. Hole spacing: 30.5mm\*30.5mm / $\varnothing 3.0\text{mm}$
8. Dimension: 38mm\*38mm\*20.7mm
9. Weight: 38g

## IV. Function Introduction



1. Channel indicator: Red LED
2. Band indicator: Blue LED
3. Power indicator: Green LED
4. Band & Channel changer button
5. Power changer button
6. 1.0 6P Power connector
7. Cooling Fan Power Cable Holder
8. MCX antenna connector

## V. Control method and LED indicator

1. Button ④ is used to switch band and channel; every time when button ④ is pressed for a short time to switch to the next channel, the red LED ① will flash, 1.2.3.4.5.6.7.8.9 in turn. The operation can be cyclic; see the following diagram for details!

Short press button ④ to switch channel									
	CH1	CH2	CH3	CH4	CH5	CH6	CH7	CH8	CH9
Red LED	Flash once	Flash twice	Flash for 3 times	Flash for 4 times	Flash for 5 times	Flash for 6 times	Flash for 7 times	Flash for 8 times	Flash for 9 times

2. Button ⑤ is the power adjustment button, each short press switches the power by one step, cycling between the two steps of 25mW and 5000mW. The green LED is the power indicator, the status is shown in the following figure, 25mW blinks once, 5000mW blinks twice. Press and hold for 3 seconds to enter pit mode, the green light is always on. See the figure below for details!

Short press button ⑤ to switch power			
Green LED	Pit mode	25mW	5000mW
	Everlasting brightness	Flashes 1 time	Flashes twice

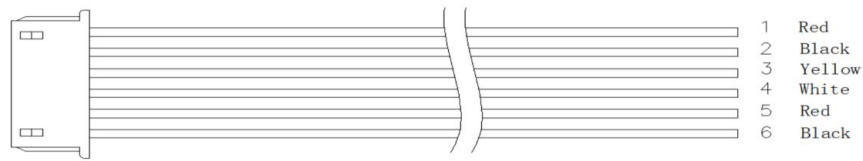
**Note:** This VTX has a temperature protection function, when the temperature of the microphone is higher than 100 °C, the transmitter power of this microphone will be reduced by one step, if the temperature is still higher than 100 °C continue to reduce the power by one step until the lowest power (25mW); at this time, the microphone temperature will be lowered, and when the temperature is lowered to 95 °C, the transmitter power will be returned to the originally set power level.

## VI. Frequency Table

Frequency Table

1	2	3	4	5	6	7	8	9	
1080	1120	1160	1200	1240	1280	1320	1360	1258	Mhz

## VII. Illustrate of 6P 1.0 Wiring



Wiring Table:

NO	1	2	3	4	5	6
FUN	7-36V	GND	Video	IRC	5VOut	GND
Color	Red	Black	Yellow	White	Red	Black

## VIII. Notice for Use:

1. The VTX must be installed with space to ensure that the air convection around the module to ensure that the module heat dissipation; otherwise, the module overheating protection start, reduce the power to transmit, or even shut down the power to transmit.
2. It is recommended that before turning on the power, to ensure that the correct voltage range, positive and negative poles are correct, so as not to burn components.
3. It is recommended that before turning on the power, make sure that the RF output has been installed antenna, which can extend the life of the module.
4. Please read the instruction manual before use, so that you can correctly wire and extend the module service life.