

MINI FPV GOGGLES

User's manual

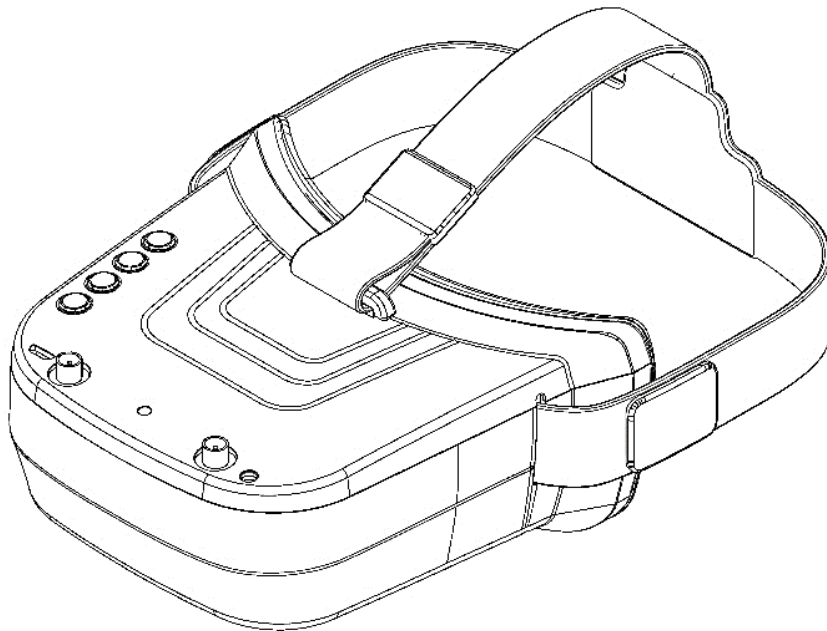
Double Antennas

Built-in 3.7V 1200mAh Battery

Support a key search frequency

RaceBand 40 channel Auto-Searching

Real-time video return 5.8G FPV Receiver



Thank you for your choose and buy the products of this company.

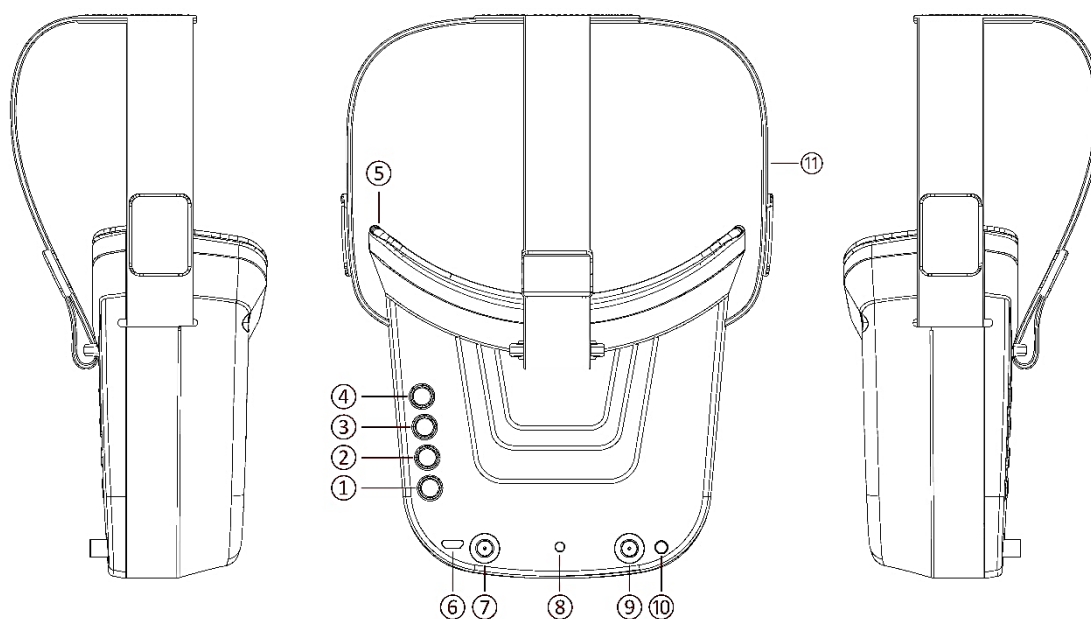
Feature:

- Small size and light weight;
- Low power consumption, Working current 360~400mA;
- Double antenna reception to make the signal more stable;
- RaceBand 40 channel, Auto-Searching;
- 3.0 Inch 480*320 dot high brightness LCD screen;
- Built-in super sensitiveness 5.8GHz 40ch receiver, especially with RaceBand;
- Built-in 3.7V/1200mAh high-capacity Li-ion polymer Battery;
- Universal USB charging interface;
- Real-time video return, Very low time-delay;
- Bilingual menu in support of Chinese and English;
- Support external video signal input;
- Support AV signal output (Connect external DVR);

Specification:

Model									
Name	Mini FPV Goggles								
LCD Screen	Screen size: 3.0 Inch								
	Resolution: 480*320								
	Display Ratio: 16:9								
	View Angle: 6 o'clock								
	Brightness: 350cd/m ² with high brightness backlight LED								
Video delay	Video time-delay less than 20ms								
Lens	4X Fresnel Lens, 92% transparent rate no distort of light								
Interface	Antenna	2 X RP-SMA male							
	USB	To charge the battery							
	AV Jack	External video signals input or internals AV signal output							
Languages	English and Chinese								
Power Supply	Power adapter: DC5V/1A (USB interface)								
	Battery: 3.7V/1200mAh, Each full charge revive around 2.5hr working time								
	Power Consumption: *The device operating current of 360~400mA at 3.7~4.2V; *Built-in battery maximum charge current of 500mA;								
Wireless	Frequency Table(MHz)								
		CH1	CH2	CH3	CH4	CH5	CH6	CH7	CH8
	Band A	5865	5845	5825	5805	5785	5765	5745	5725
	Band B	5733	5752	5771	5790	5809	5828	5847	5866
	Band E	5705	5685	5665	5645	5885	5905	5925	5945
	Band F	5740	5760	5780	5800	5820	5840	5860	5880
Band R	5658	5695	5732	5769	5806	5843	5880	5917	
Body	Dimension: 13.5cm * 13.2cm * 6.5cm								
	Weight: 180g(with headband, not included antennas)								

Controls Diagram:



Description:

- ① **Key 1:** Short press for MENU mode; Long press (More than 3 sec) for Power ON/OFF.
- ② **Key 2:** Short press for Auto-Searching (Automatic selection of the strongest channel).
- ③ **Key 3:** Short press for Band+ (Change bands A-B-E-F-R circularly).
- ④ **Key 4:** Short press for Channel+ (Change channels 1-2-3-4-5-6-7-8 circularly).
- ⑤ **Eye ring:** protect the surrounding parts of the eyes, so that the wear more comfortable.
- ⑥ **Micro-USB Charging port:** Supports DC5V only.
- ⑦ **Antenna port A:** RP-SMA male.
- ⑧ **Charging indicator:** Red light when charging light; full power, the indicator goes off.
- ⑨ **Antenna port B:** RP-SMA male.
- ⑩ **AV Jack:** In RF receiving mode can output AV signal; In AV mode can enter the video signal.
- ⑪ **Head band:** Adjustable headband.

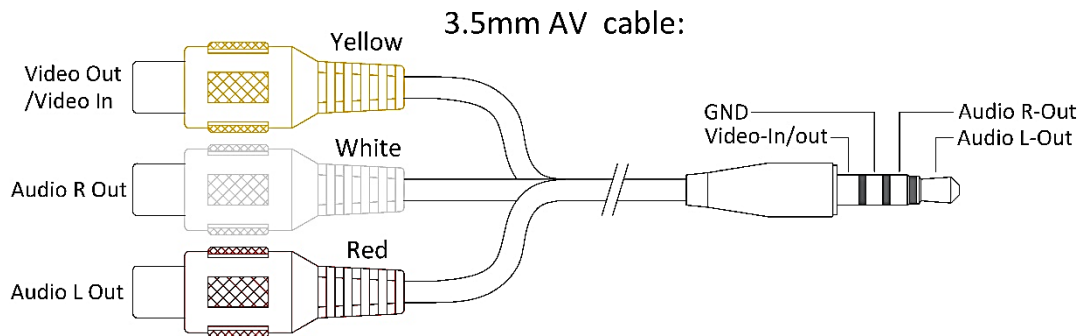
Menu Operation Instructions:

In normal mode, press **Key 1** to enter the MENU mode.

In MENU mode:

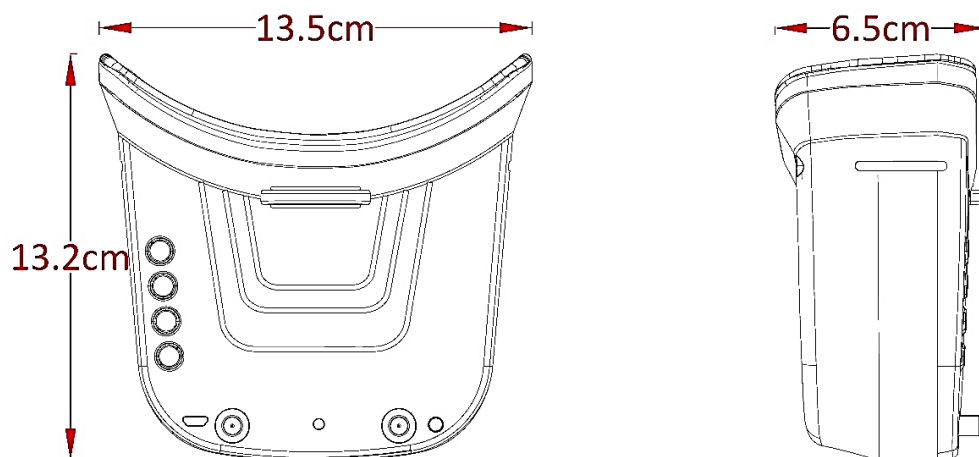
- ① **Key 1:** Select the option bar.
- ② **Key 2:** Return to normal mode.
- ③ **Key 3:** Value -.
- ④ **Key 4:** Value +.

AV port Instructions:



Dimension Diagram:

Not included antennas and headband.



Safety instruction:

- 1. Read the entire instruction manual to become familiar with the features of the product before operating.**
- 2. Age Recommendation: Over 14 years old. Using any near eye displays on children under 14 can cause eye development problems. This is not a toy.**
- 3. Please avoid wet or humid environments.**
- 4. Please use standard USB charger, charging voltage can only be 5V.**
- 5. AV output and Video input cannot work at the same time, It is forbidden to insert external video in RF receiving mode.**