

3.3GHz VRX Receiver Box

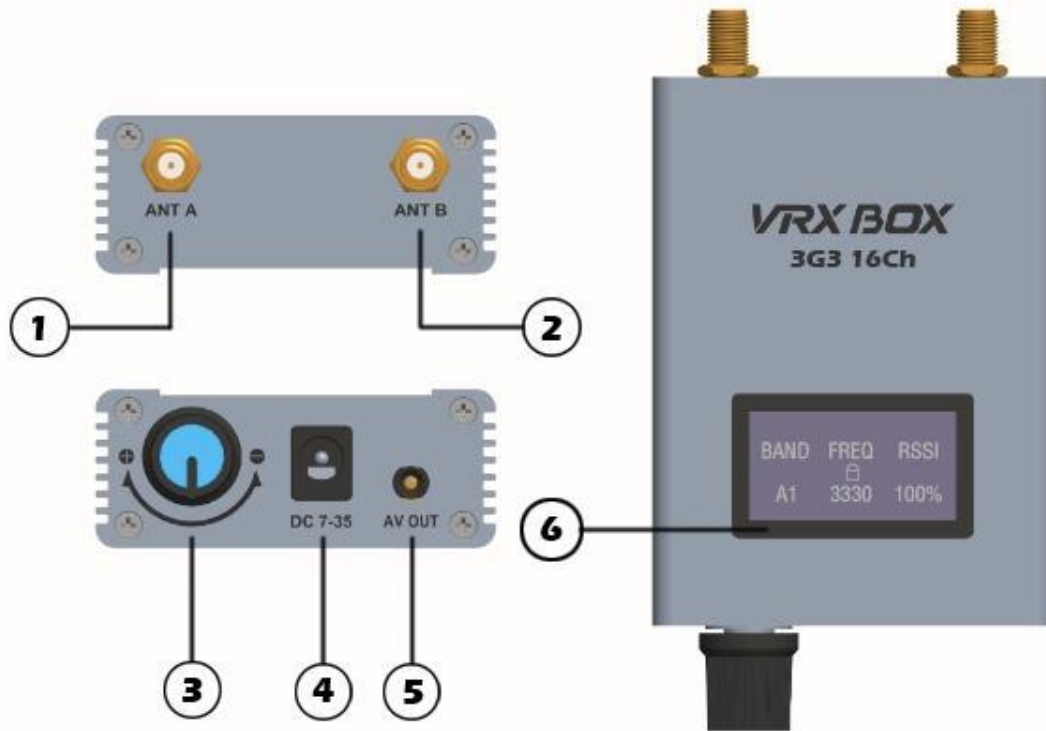
Manual


Model: LST-3G3VRX-BOX

I. Appearance

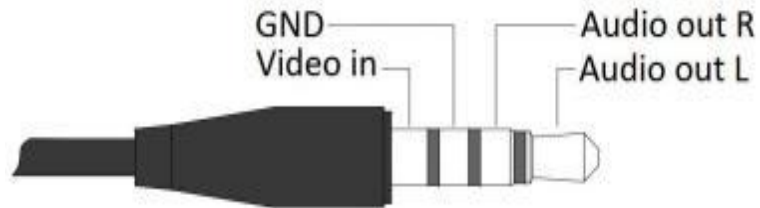


II. Interface description



| No. | Item | Function | |
|-----|----------|---|-------------------------------------|
| 1 | RX ANT A | Receive antenna A port (SMA-F) Impedance 50Ω | |
| 2 | RX ANT B | Receive antenna B port (SMA-F) Impedance 50Ω | |
| 3 | ENC SW | Encoding switch, rotate left and right to adjust the frequency point. (Press briefly to switch frequency bands; press and hold for 3 seconds to lock the screen, then press again for 3 seconds to unlock.) | |
| 4 | DC IN | DC 7-35V input, Max≤36V. | |
| 5 | AV OUT | Video output, amplitude 1Vp-p | |
| 6 | OLED | BAND | Operating frequency band |
| | | FREQ | Operating frequency (MHz) |
| | | RSSI | Received Signal Strength Indication |
| | |  | Screen lock icon |

AV Output Definition:



III. Receiver Operating Channel Table

| Channel | |
|-------------|-------------|
| BAND A FREQ | BAND B FREQ |
| A1=3330MHz | A9=3170MHz |
| A2=3350MHz | A10=3190MHz |
| A3=3370MHz | A11=3210MHz |
| A4=3390MHz | A12=3230MHz |
| A5=3410MHz | A13=3250MHz |
| A6=3430MHz | A14=3270MHz |
| A7=3450MHz | A15=3290MHz |
| A8=3470MHz | A16=3310MHz |

IV. Receiver Parameters

| Item | Min. | Median | Max. | Test Conditions |
|-----------------------|------------|---------|---------|------------------------|
| Freq | 3170MHz | 3330MHz | 3470MHz | |
| Input Impedance | 50Ω | | | Antenna port impedance |
| Operating Voltage | DC 7~ 35V | | | |
| Operating Current | 0.18A | | | Power supply 12V Data |
| Receiver Sensitivity | -95dBm±2 | | | |
| Video Amplitude | 1Vp-p | | | |
| Max. Input | 10dBm | | | Max. Input Wattage |
| Weight | 120g | | | |
| Dimension | 83*61*25mm | | | |
| Operating Temperature | -20℃ | 25℃ | 75℃ | |
| Operating Humidity | 10% | 50% | 95% | |
| Storage Environment | -40℃ | 25℃ | 90℃ | Storage Temperature |