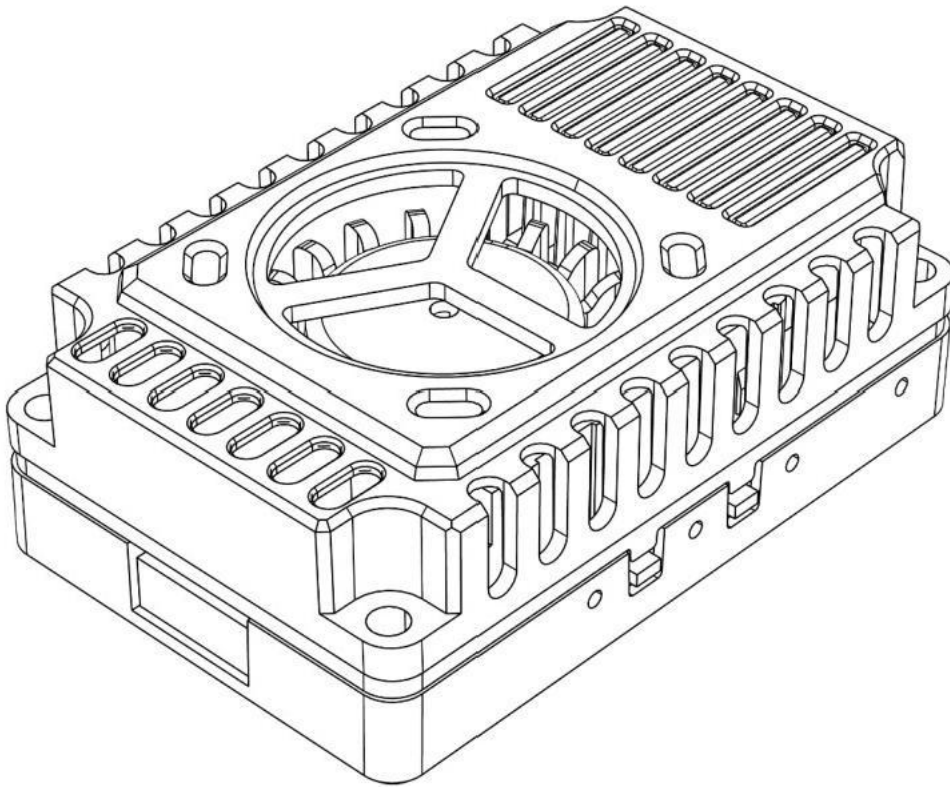
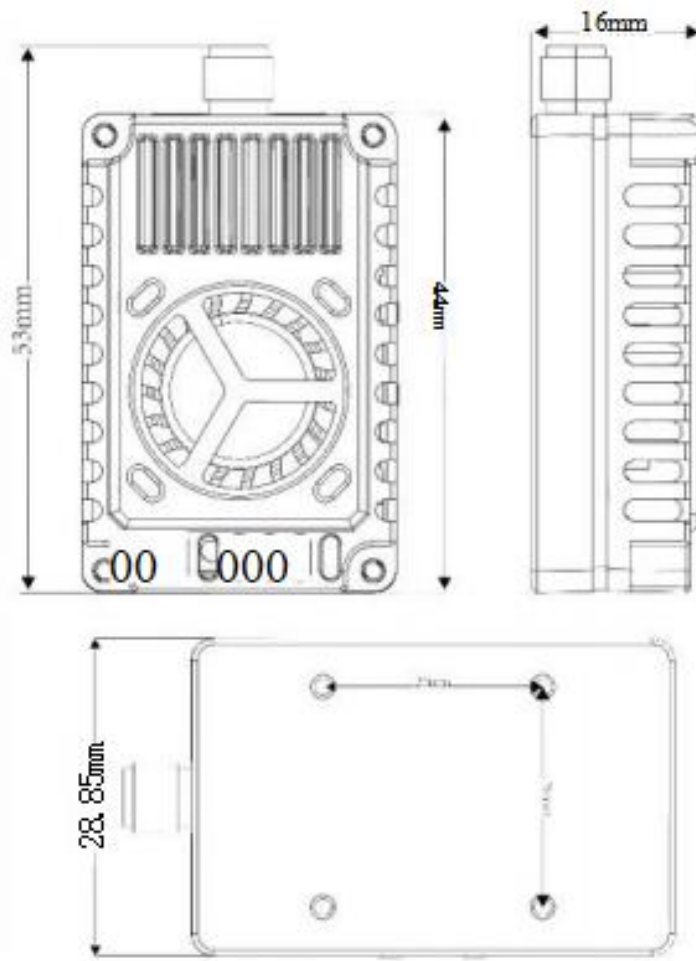


Operation Instruction of 3.3GHz 4W Transmitter (VTX)

I. Product Appearance



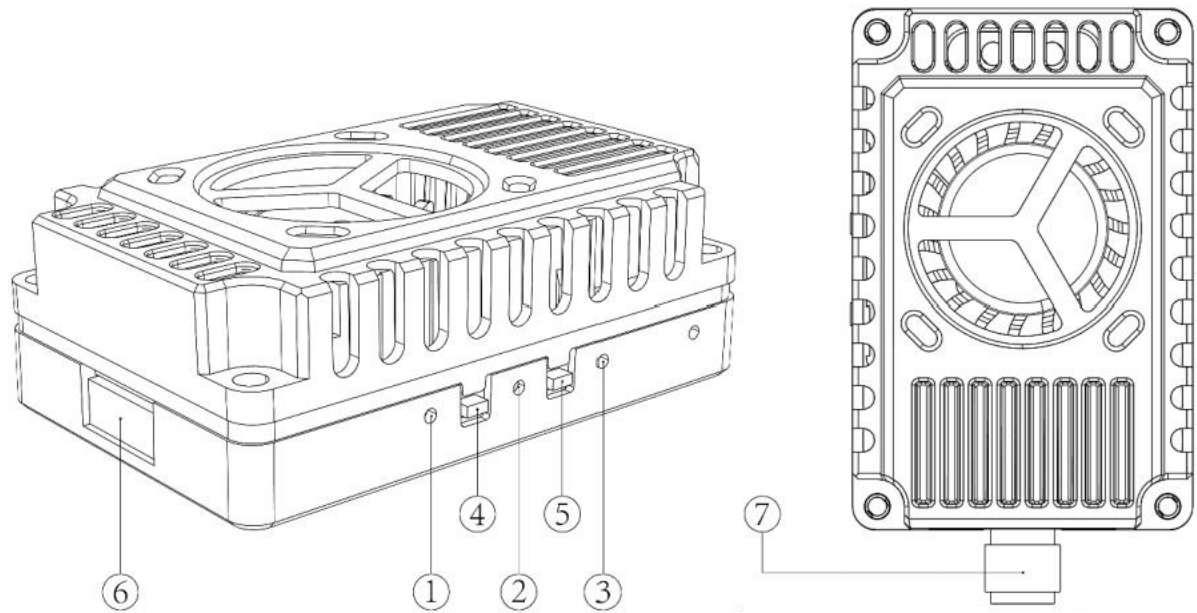
II. Product Dimension



III. Specifications

1. 3.3GHz 16 CH: 3170MHz-3470MHz
2. Max power: 4W (25mW/2000mW/4000mW, adjustable)
3. Input voltage: DC 7V-36V, supporting 2-8S battery input
4. Antenna connector: SMA Mother seat inner hole
5. Smart audio: IRC Tramp
6. Heat-dissipating method: aluminum alloy shell, heat sink&fan
7. Hole spacing: 20mm*20mm/ø2mm
8. Dimension: 53mm*28.85mm*16mm
9. Weight: 25.85g

IV. Function Introduction



1. Channel indicator: Red LED
2. Band indicator: Blue LED
3. Power indicator: Green LED
4. Band & Channel changer button
5. Power changer button
6. 1.0 6P Power connector
7. SMA Mother seat inner hole

V. Control Method and LED Indicator

1. Button ④ is used to switch band and channel; every time when button ④ is pressed for a short time to switch to the next channel, the red LED ① will flash, 1.2.3.4.5.6.7.8 in turn. The operation can be cyclic; see the following diagram for details!

Short press button ④ to switch channel									
Red LED	CH1	CH2	CH3	CH4	CH5	CH6	CH7	CH8	
	Flash once	Flash twice	Flash for 3 times	Flash for 4 times	Flash for 5 times	Flash for 6 times	Flash for 7 times	Flash for 8 times	

2. Long press button ④ to switch frequency bands. Long press for 5 seconds and the corresponding blue LED will flash, indicating frequency groups A and B in sequence. This operation can be repeated; see the figure below for details!

Press and hold button ④ to switch channels		
Blue LED	Band A	Band B
	Flash once	Flash twice

3. Button ⑤ is the power adjustment button. Each short press switches the power by one level, cycling between 25mW, 2000mW, and 4000mW. The green LED is the power indicator light, with the following statuses as shown in the figure below: 25mW flashes once, 2000mW flashes twice, and 4000mW flashes three times. Holding the button for 3 seconds enters pit mode, with the green light staying on. See the figure below for details!

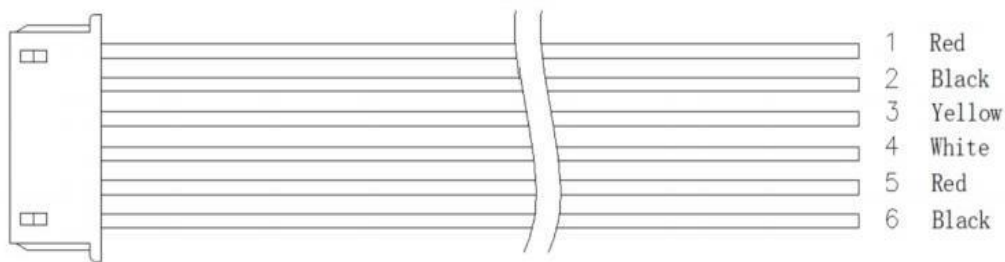
Short press button ⑤ Power switch				
Green LED	Pit Mode	25mw	2000mw	4000mw
	Everlasting brightness	Flashes 1 time	Flashes twice	Flashes three times

Note: This image transmission device has a temperature protection function. When the temperature of the image transmission device exceeds 100° C, the transmission power of the image transmission device will be reduced by one level. If the temperature remains above 100° C, the transmission power will be reduced by another level until it reaches the lowest power level (25mW). At this point, the temperature of the image transmission device will decrease. When the temperature drops to 95° C, the transmission power will return to the originally set power level.

VI. Frequency Table

Frequency Table										
Channel		1	2	3	4	5	6	7	8	
1	Band A	3330	3350	3370	3390	3410	3430	3450	3470	Mhz
2	Band B	3170	3190	3210	3230	3250	3270	3290	3310	Mhz

VII. Illustrate of 6P 1.0 Wiring



Wiring Table:

NO	1	2	3	4	5	6
FUN	7-36V	GND	Video	IRC	5VOut	GND
Color	Red	Black	Yellow	White	Red	Black

VIII. Notice for Use:

1. The VTX must be installed with space to ensure that the air convection around the module to ensure that the module heat dissipation; otherwise, the module overheating protection start, reduce the power to transmit, or even shut down the power to transmit.
2. It is recommended that before turning on the power, to ensure that the correct voltage range, positive and negative poles are correct, so as not to burn components.
3. It is recommended that before turning on the power, make sure that the RF RF output has been installed antenna, which can extend the life of the module.
4. Please read the instruction manual before use, so that you can correctly wire and extend the module service life.