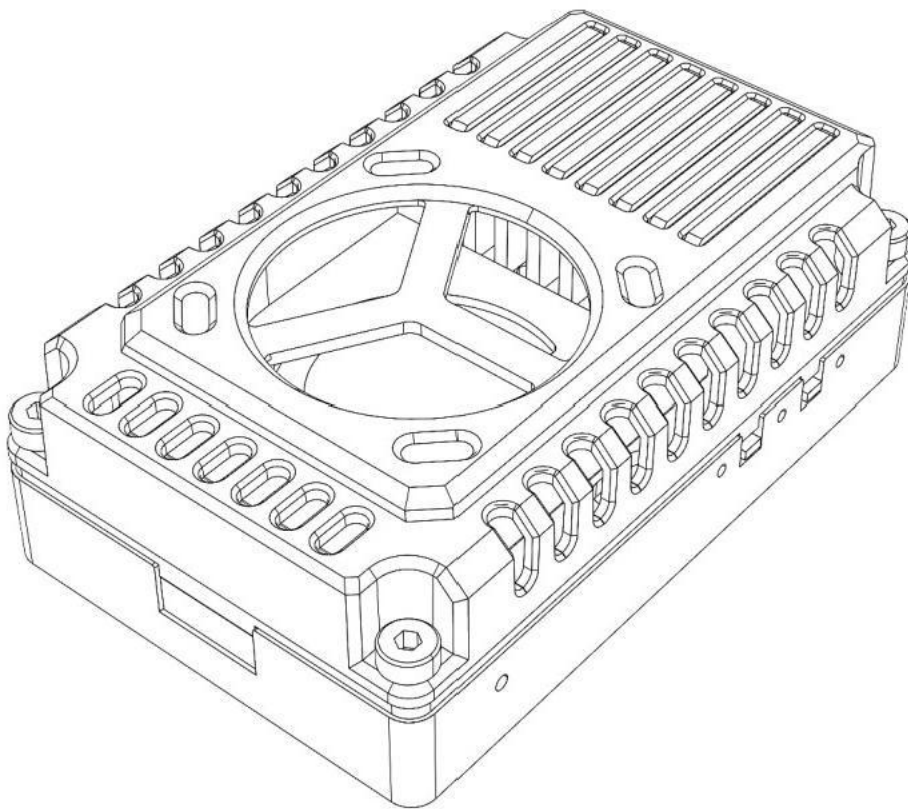
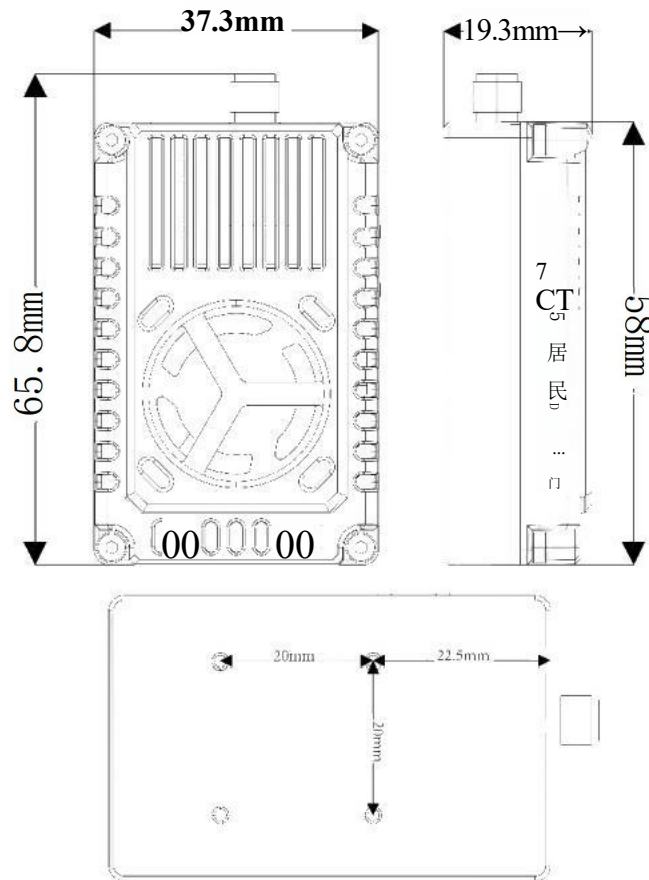


Operation Instruction of 3.3GHz 10W Transmitter (VTX)

I. Product Appearance



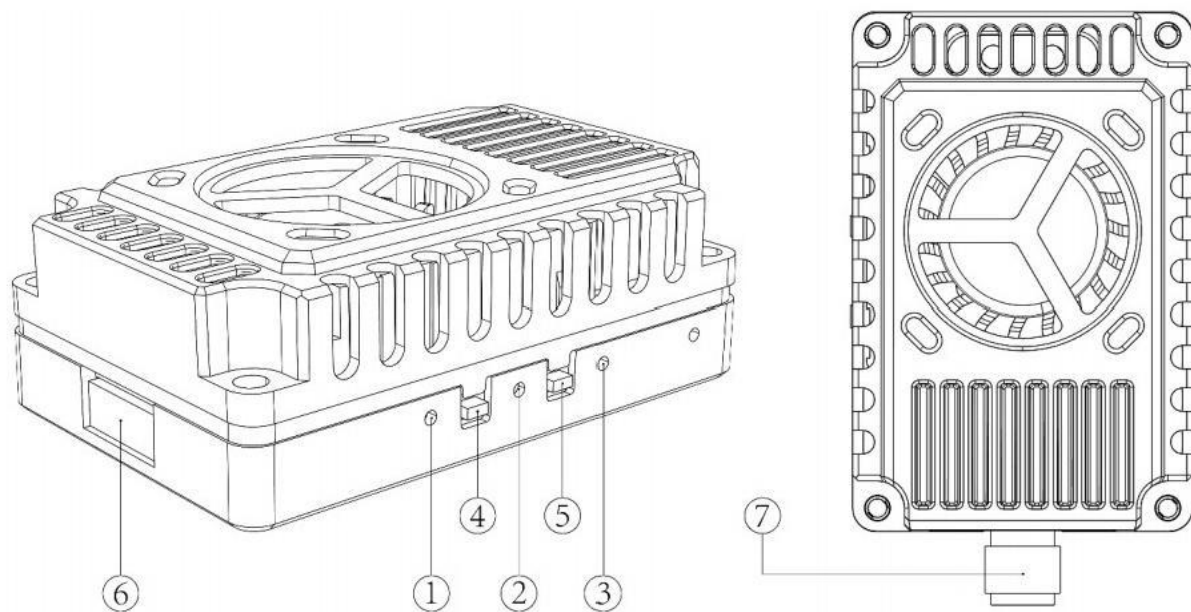
II. Product Dimension



III. Specifications

1. 3.3GHz 16 CH: 3170MHz-3470MHz
2. Max power: 10W (1W/2.5W/5W,7.5W,10W, adjustable);
3. Input voltage: DC 15V-36V, supporting 4-8S battery input
4. Antenna connector: SMA Mother seat inner hole
5. Smart audio: IRC Tramp
6. Heat-dissipating method: aluminum alloy shell, heat sink&fan
7. Hole spacing: 20mm*20mm/ø2mm
8. Dimension: 65.8mm*37.3mm*19.3mm
9. Weight: 48.15g

四 . 接口及按键指示灯布局:



1. Channel indicator: Red LED
2. Band indicator: Blue LED
3. Power indicator: Green LED
4. Band & Channel changer button
5. Power changer button
6. 1.0 6P Power connector
7. SMA Mother seat inner hole

V. Control Method and LED Indicator

1. Button ④ is used to switch band and channel; every time when button ④ is pressed for a short time to switch to the next channel, the red LED ① will flash, 1.2.3.4.5.6.7.8 in turn. The operation can be cyclic; see the following diagram for details!

| Short press button ④ to switch channel | | | | | | | | | |
|--|------------|-------------|-------------------|-------------------|-------------------|-------------------|-------------------|-------------------|--|
| Red LED | CH1 | CH2 | CH3 | CH4 | CH5 | CH6 | CH7 | CH8 | |
| | Flash once | Flash twice | Flash for 3 times | Flash for 4 times | Flash for 5 times | Flash for 6 times | Flash for 7 times | Flash for 8 times | |

2. Long press button ④ to switch frequency bands. Long press for 5 seconds and the corresponding blue LED will flash, indicating frequency groups A and B in sequence. This operation can be repeated; see the figure below for details!

| Press and hold button ④ to switch channels | | |
|--|------------|-------------|
| Blue LED | Band A | Band B |
| | Flash once | Flash twice |

3. Button ⑤ is the power adjustment button. Each short press switches the power level by one step, cycling through the five levels of 1W, 2.5W, 5W, 7W, and 10W. The green LED is the power indicator light, with the following states as shown in the figure below: 1W flashes once, 2.5W flashes twice, 5W flashes three times, 7.5W flashes four times, and 10W flashes five times. Press and hold for 3 seconds to enter pit mode, with the green light staying on. See the figure below for details!

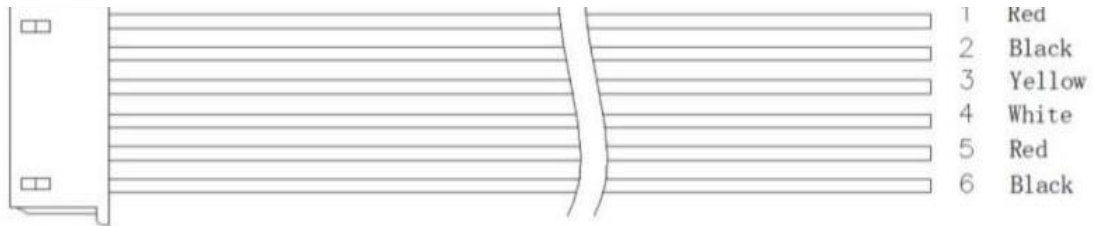
| Short press button ⑤ Power switch | | | | | | |
|-----------------------------------|------------------------|----------------|---------------|---------------------|--------------------|--------------------|
| Green LED | Pit Mode | 1W | 2.5W | 5W | 7.5W | 10W |
| | Everlasting brightness | Flashes 1 time | Flashes twice | Flashes three times | Flashes four times | Flashes five times |

Note: This image transmission device has a temperature protection function. When the temperature of the image transmission device exceeds 100° C, the transmission power of the image transmission device will be reduced by one level. If the temperature remains above 100° C, the transmission power will be reduced by another level until it reaches the lowest power level (25mW). At this point, the temperature of the image transmission device will decrease. When the temperature drops to 95° C, the transmission power will return to the originally set power level.

VI. Frequency Table

| Frequency Table | | | | | | | | | | |
|-----------------|--------|------|------|------|------|------|------|------|------|-----|
| Channel | | 1 | 2 | 3 | 4 | 5 | 6 | 7 | 8 | |
| 1 | Band A | 3330 | 3350 | 3370 | 3390 | 3410 | 3430 | 3450 | 3470 | Mhz |
| 2 | Band B | 3170 | 3190 | 3210 | 3230 | 3250 | 3270 | 3290 | 3310 | Mhz |

VII. Illustrate of 6P 1.0 Wiring



Wiring Table:

| NO | 1 | 2 | 3 | 4 | 5 | 6 |
|--------------|--------|-------|--------|-------|-------|-------|
| FUN | 15-36V | GND | Video | IRC | 5VOut | GND |
| Color | Red | Black | Yellow | White | Red | Black |

VIII. Notice for Use:

1. The VTX must be installed with space to ensure that the air convection around the module to ensure that the module heat dissipation; otherwise, the module overheating protection start, reduce the power to transmit, or even shut down the power to transmit.
2. It is recommended that before turning on the power, to ensure that the correct voltage range, positive and negative poles are correct, so as not to burn components.
3. It is recommended that before turning on the power, make sure that the RF output has been installed antenna, which can extend the life of the module.
4. Please read the instruction manual before use, so that you can correctly wire and extend the module service life.